



If caregivers have a choice, they choose Lopital



Lotus active standup aid



5900 8200 Lotus / 5900 8250 Lotus compact / 5900 8270 Lotus XL

Lotus active standup aid

Lotus active standup aid with mechanical leg spread

The Lotus is an active standup aid designed for individuals who can still stand independently and possess sufficient core stability but may have difficulty walking or are unable to walk. Caregivers can safely and efficiently move the client after they have seated themselves on the Lotus.

The Lotus is intended for short transfers, such as moving from the bed to the toilet. Because the client assumes an active seated position, less effort is required to return to a standing position. Optimal comfort is provided for both the client and the caregiver. The Lotus features swiveling seat components, comfortable lower leg support, and a leg spread function. The leg spread function allows the Lotus to be brought close to the client, enabling them to actively take a seat. The Lotus encourages the client to actively participate in transfers, which helps train muscles and promotes independence.

**The Lotus and Lotus XL are designed for users with an average height between 1m65 and 1m95 (5'2" and 6'4").
The Lotus compact is designed for users with an average height between 1m35 and 1m65 (4'4" and 5'2").**



5900 8200 Lotus

Lotus and Lotus compact:

- Maximum load capacity of 200 kg.

Lotus XL:

- Maximum load capacity of 227 kg.
- Extra wide space between the seat shells.

Lotus, Lotus compact and Lotus XL:

- Comfortable lower leg supports.
- Rotating seat sections, equipped with snap lock
- Mechanical leg spreading.
- Variable contact points.
- Ideal seating angle.
- Convenient maneuvering handle.
- Bearing pivot points.
- Sturdy footplate.
- 2 Plastic lockable swivel wheels with brakes.
- Height-adjustable leg support.
- Antibacterial coating on frame.
- Smooth finish for optimal cleaning and disinfection.





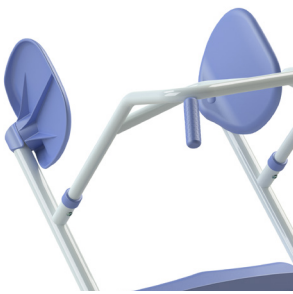
Suitable for people with a mild to moderate disability



5900 8250 Lotus compact



5900 8270 Lotus XL



Rotating seat parts.



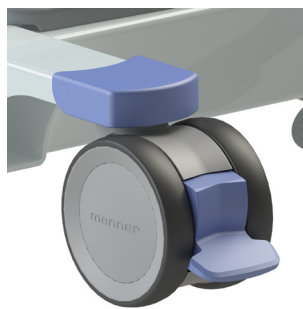
Mechanical base spreading.



Adjustable leg spreading.



Variable contact points.



Wheel locking.

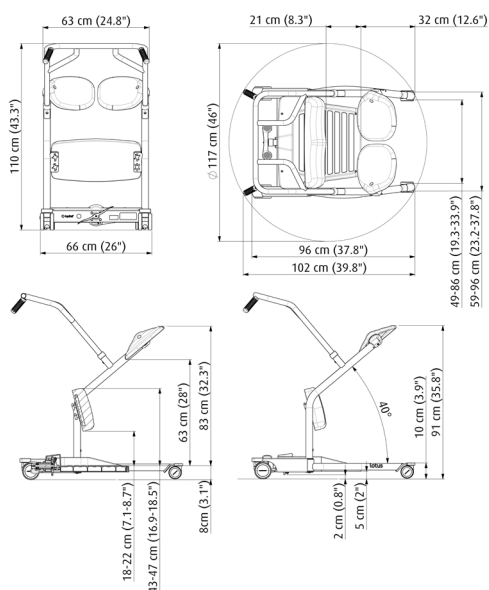


Comfortable lower leg support.

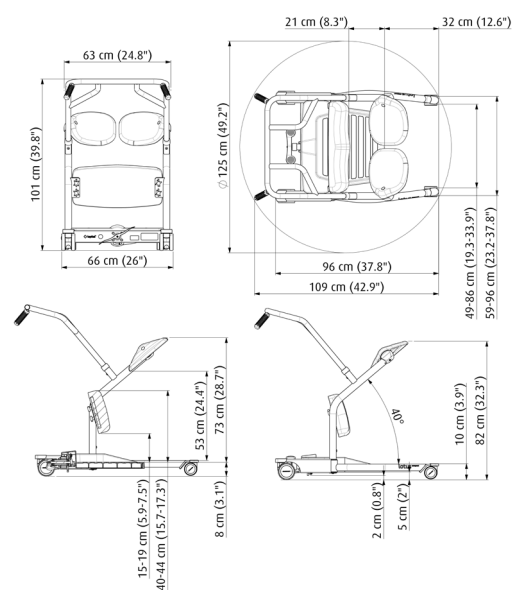
Technical specifications

Product no.	Product description	Material	Lifting capacity kg/lbs	Length x width x height	Width legs	Mechanical base spreading	Weight kg	Weight lbs	Client length
5900 8200	Lotus	steel	200 kg 440 lbs	96 cm x 66 cm x 110 cm 37.8" x 26" x 43.3"	66 cm 26"	49 cm - 86 cm 19.3" - 33.9"	32	70	165 cm - 195 cm 65" - 77"
5900 8250	Lotus compact	steel	200 kg 440 lbs	96 cm x 66 cm x 101 cm 37.8" x 26" x 39.8"	66 cm 26"	49 cm - 86 cm 19.3" - 33.9"	32	70	135 cm - 165 cm 53" - 65"
5900 8270	Lotus XL	steel	227 kg 500 lbs	96 cm x 71 cm x 110 cm 37.8" x 28" x 43.3"	66 cm 26"	49 cm - 86 cm 19.3" - 33.9"	32	70	165 cm - 195 cm 65" - 77"

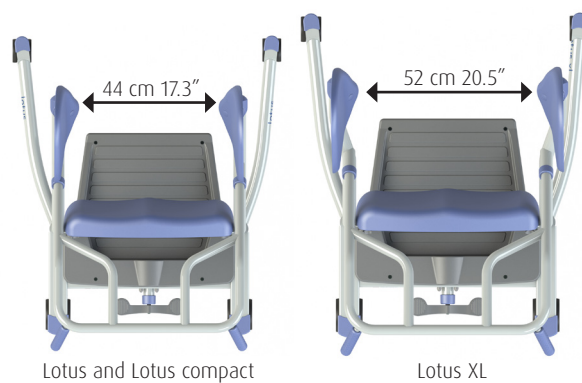
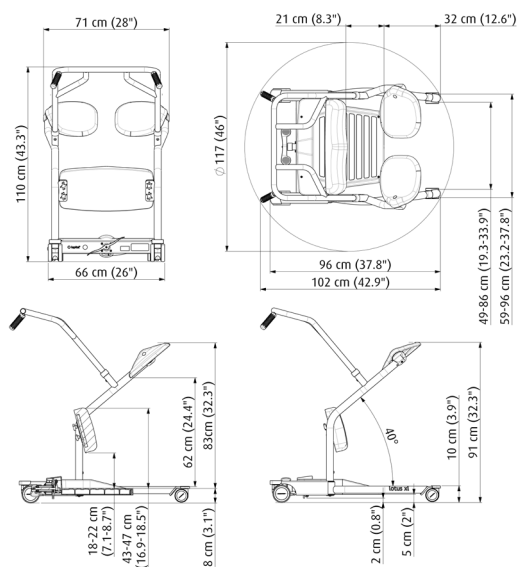
Lotus



Lotus compact



Lotus XL



For more information, also visit our website: www.lopital.com

Lopital Nederland B.V., Laarakkerweg 9, 5061 JR Oosterwijk, Postbus 56, 5060 AB Oosterwijk, The Netherlands, Tel +31 (0)13 5239300, E-mail info@lopital.nl, www.lopital.com

All the aids produced by Lopital comply with the applicable standards for medical devices Class 1 (MDR (EU) 2017/745).



Scan for information